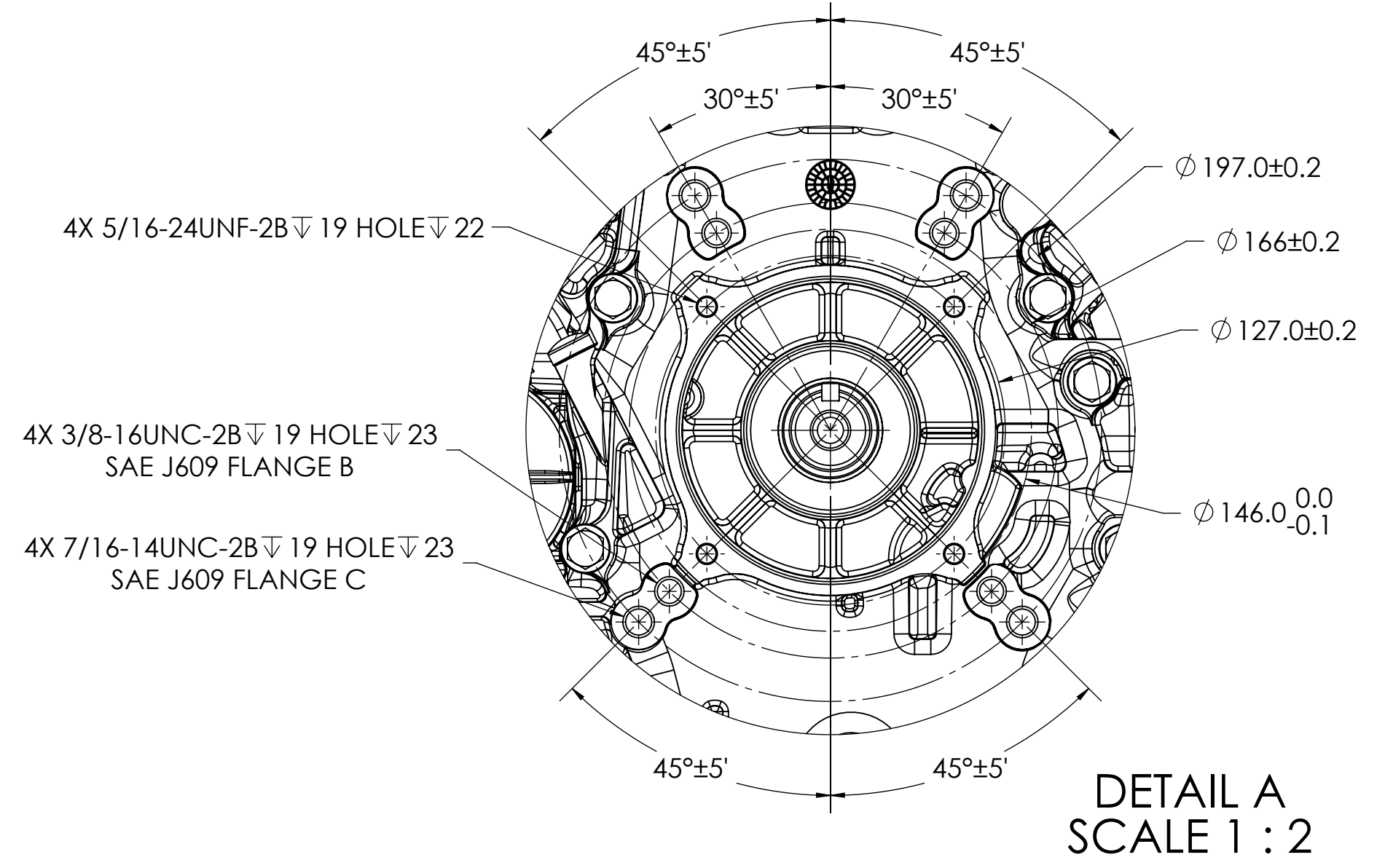
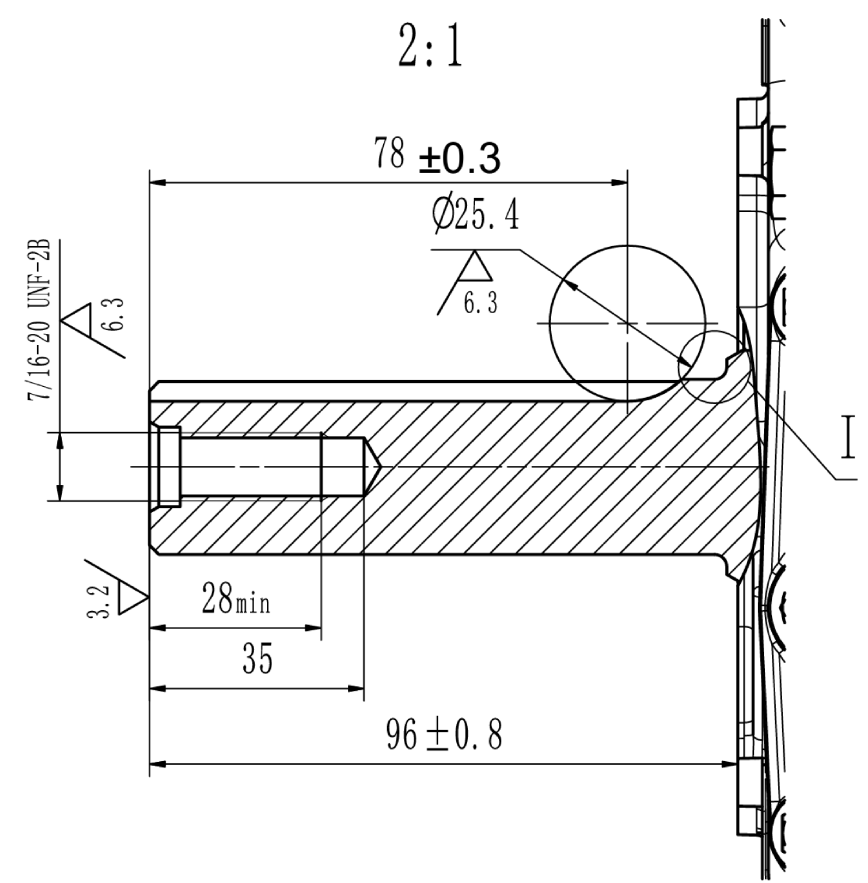
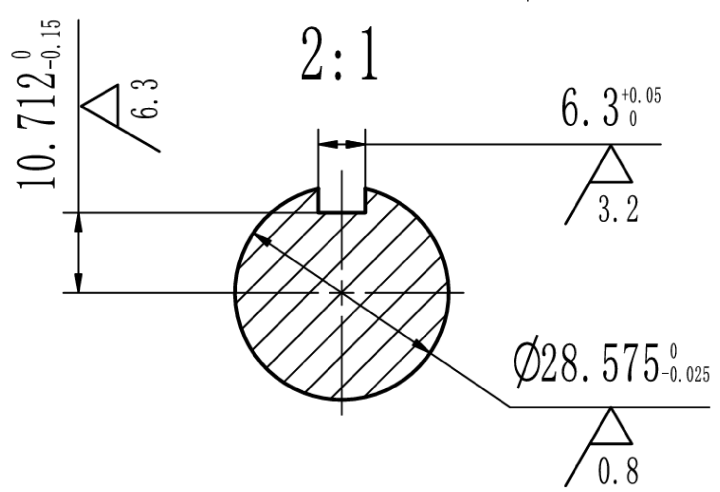
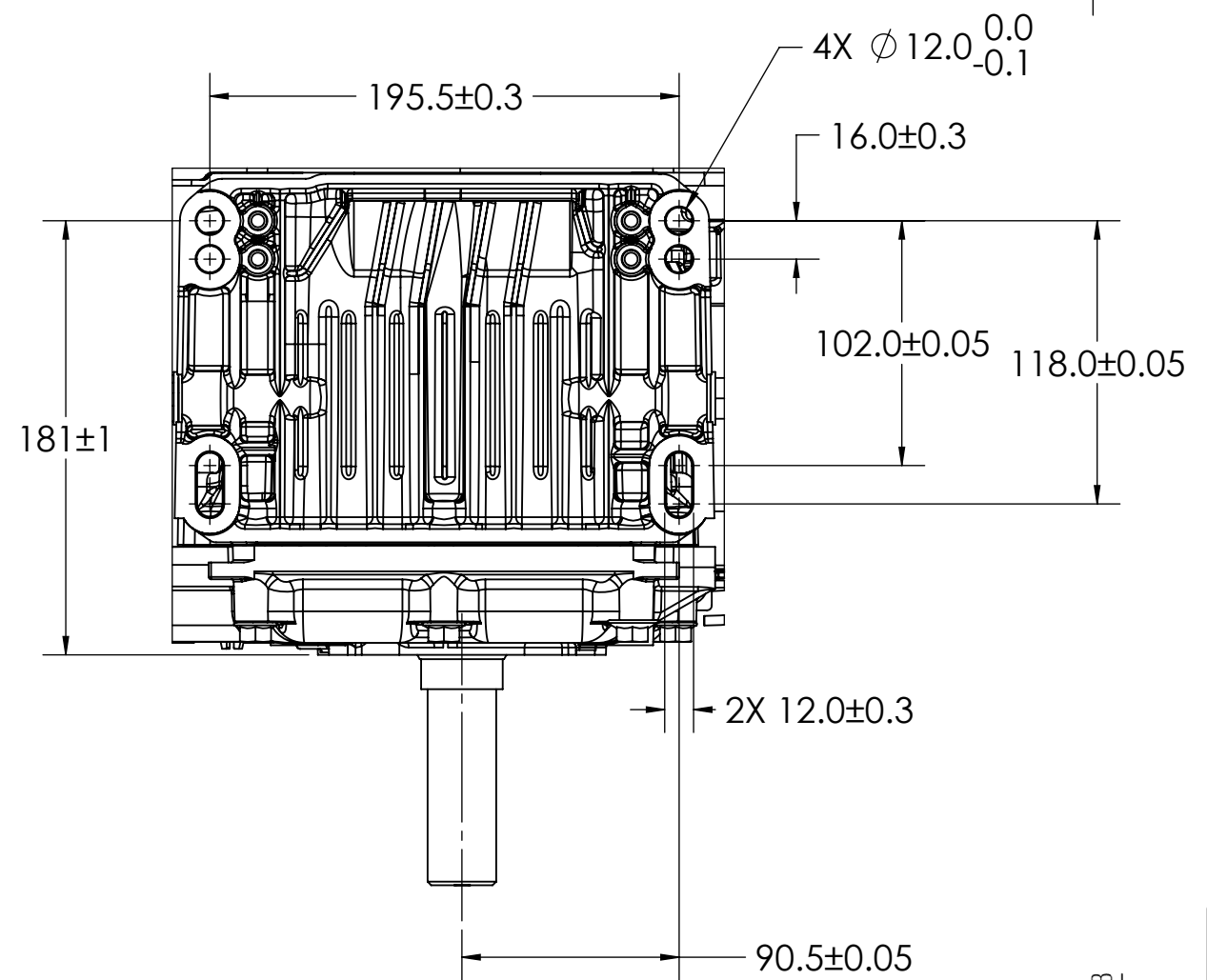
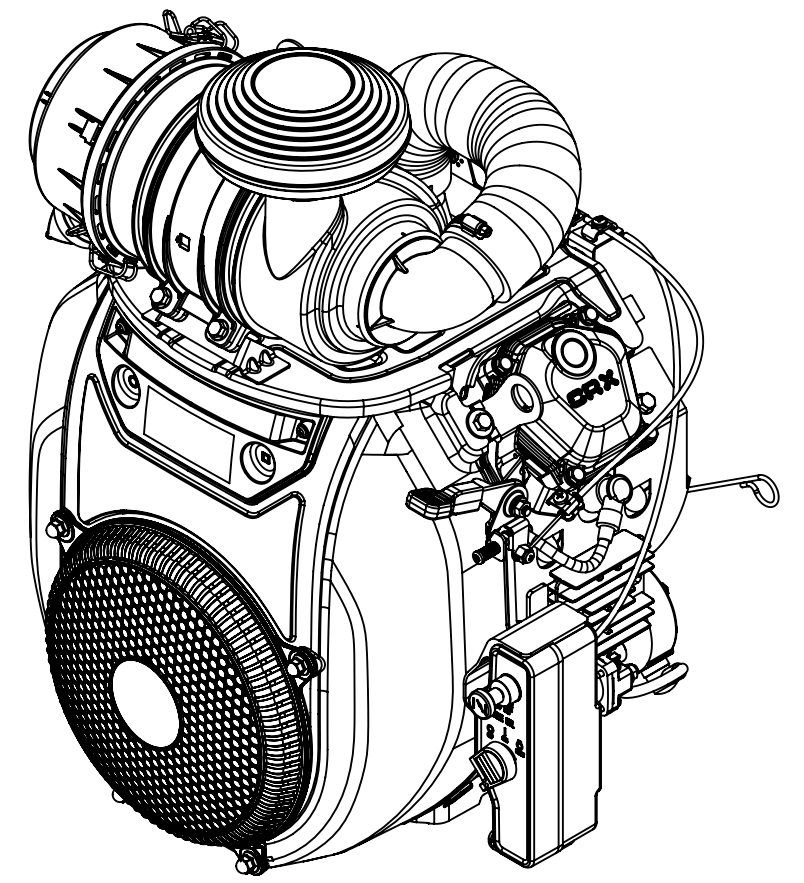
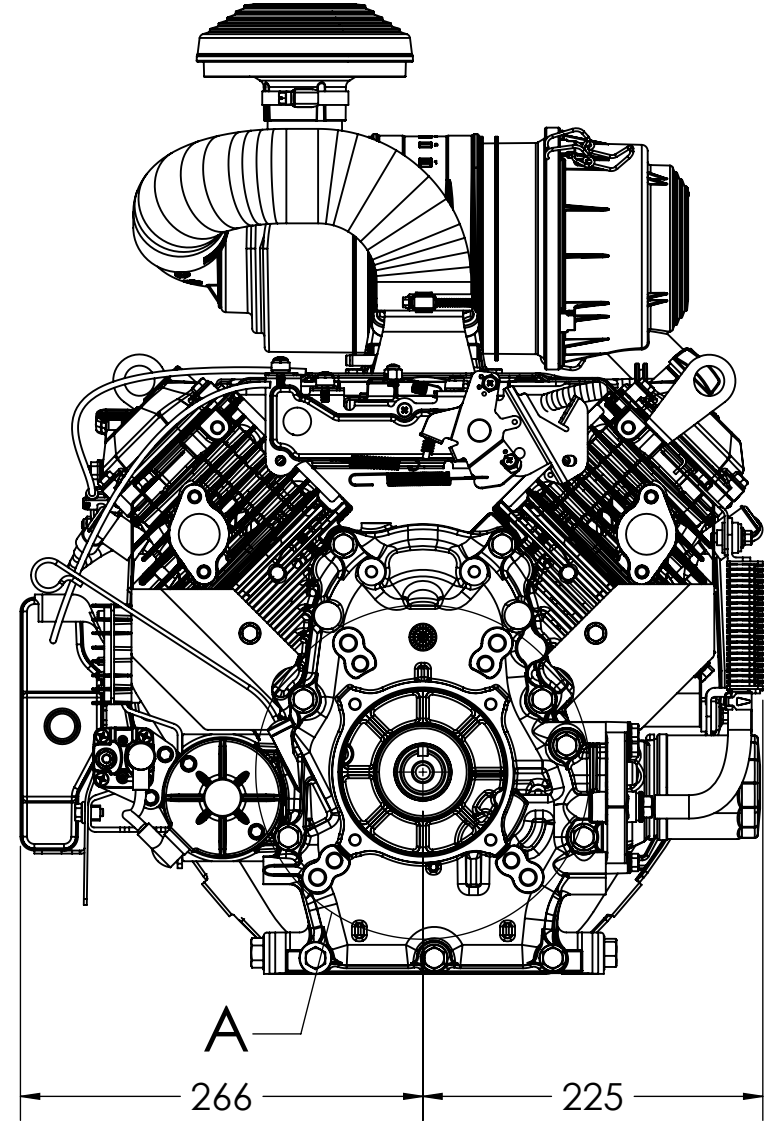
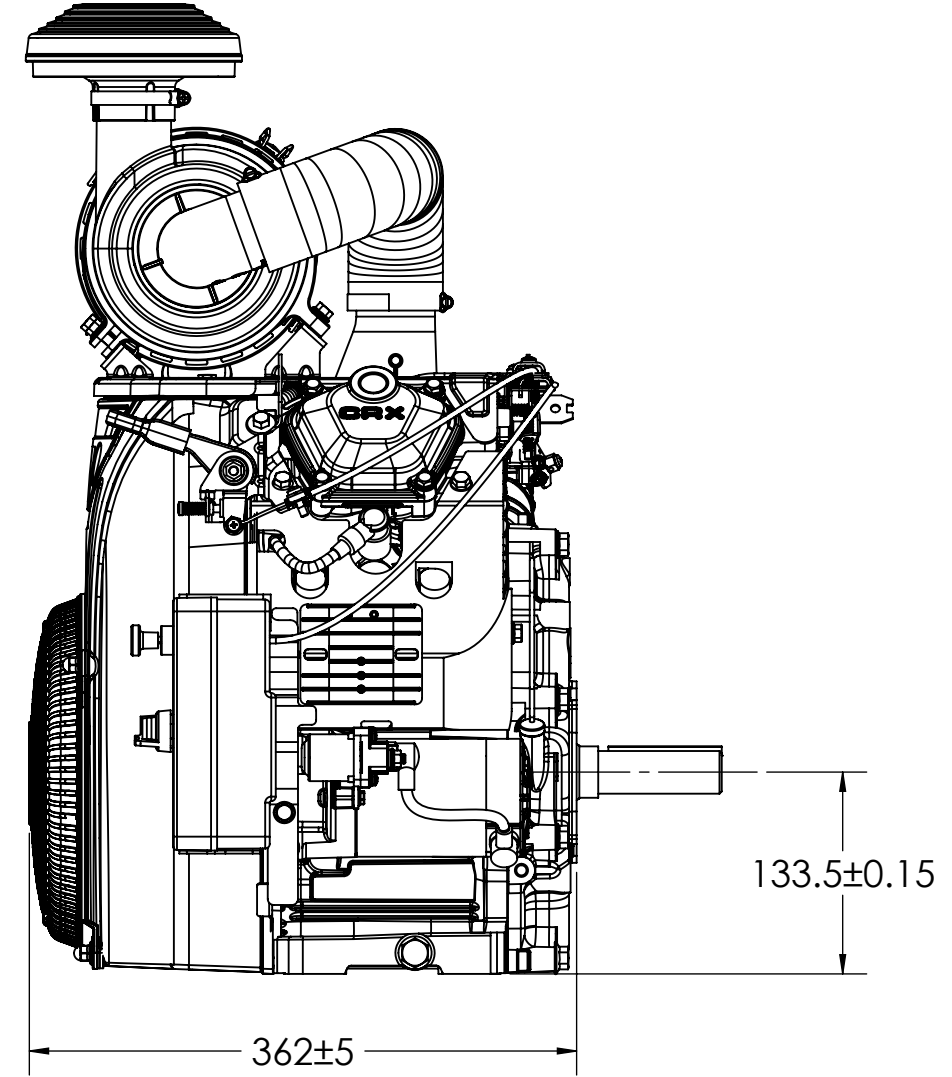
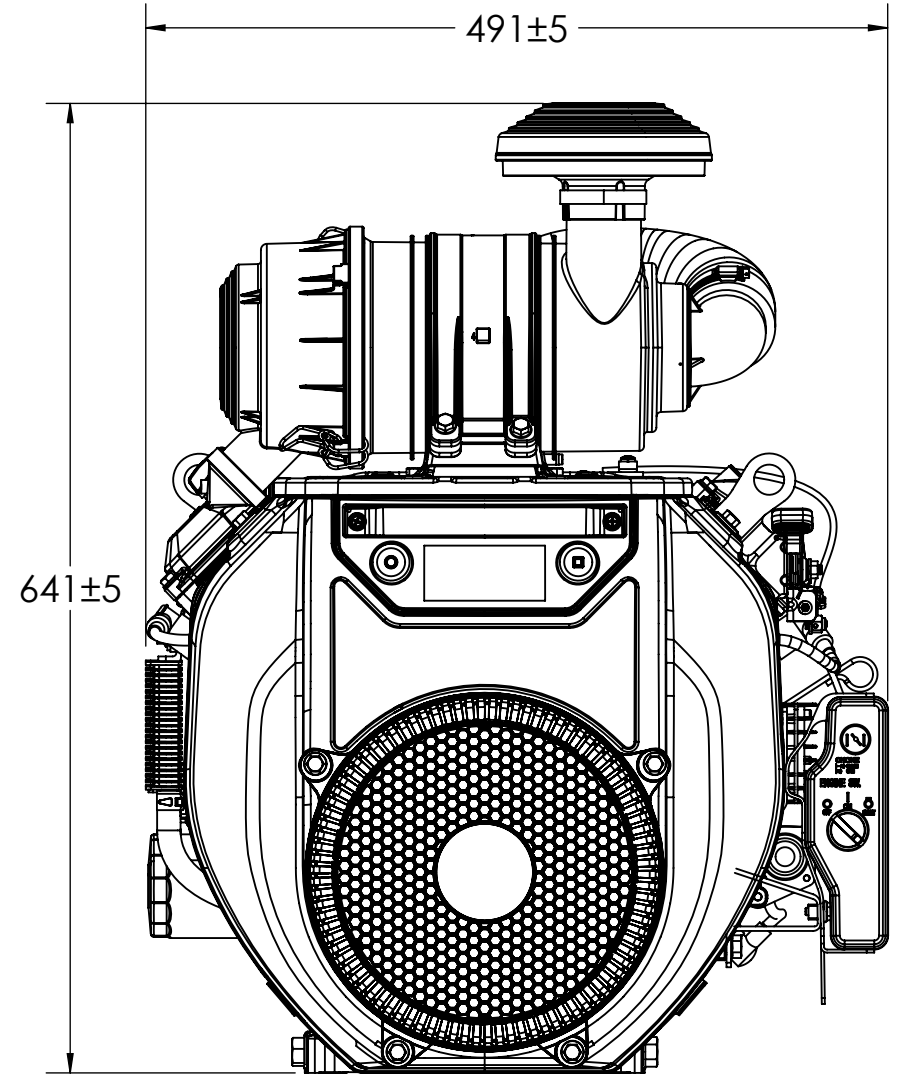


ITEM	FNA PARTS NO.	KIT DESCRIPTION	QTY	MATCH
1	7125590	VALVE COVER KIT/ LEFT	1	110212
2	7125591	CYLINDER HEAD KIT/ LEFT	1	110212
3	7125592	CYLINDER HEAD KIT/ RIGHT	1	110212
4	7125593	CARBURETOR KIT	1	110212
5	7125594	AIR FILTER ASSEMBLY	1	110212
6	7125595	AIR FILTER ELEMENT	1	110212
7	7125596	THROTTLE GOVERNOR LEVER KIT	1	110212
8	7125597	PISTON RING SET	1	110212
9	7125598	PISTON KIT	1	110212
10	7125599	CONNECTING ROD KIT	1	110212
11	7118169	LOW OIL SENSOR KIT	1	110212
12	7125600	SHORT BLOCK KIT	1	110212
13	7125603	CAMSHAFT	1	110212
14	7118172	OIL DIP STICK KIT	1	110212
15	7118173	OIL DRAIN PLUG KIT	1	110212
16	7125604	FLY WHEEL KIT	1	110212
17	7125605	COOLING FAN KIT	1	110212
18	7118176	BLOWER HOUSING KIT	1	110212
19	7118177	IGNITION KEY SWITCH KIT	1	110212
20	7125454	GOVERNOR KIT	1	110212
21	7125607	GOVERNOR SPRING KIT	1	110212
22	7118180	OIL SEAL AND BEARING KIT	1	110212
23	7125608	GASKET KIT	1	110212
24	7125609	OIL FILTER ASSY KIT	1	110212
25	7125610	CRANKCASE COVER KIT	1	110212
26	7118159	VALVE COVER KIT/ RIGHT	1	110212

27	7118184	CHARGING COIL KIT	1	110212
28	7118185	RECTIFIER ASSY. KIT	1	110212
29	7118186	FUEL PUMP KIT	1	110212
30	7118187	SPARK PLUG	1	110212
31	7118188	OIL RADIATOR/COOLER	1	110212
32	7118189	IGNITION MODULE KIT/RIGHT	1	110212
33	7118190	IGNITION MODULE KIT/LEFT	1	110212
34	7118191	ELECTRIC STARTING KIT	1	110212
35	7118192	INTAKE MANIFOLD KIT	1	110212
36	7125616	THROTTLE LINKAGE KIT	1	110212
37	7118194	CYLINDER HEAD BAFFLE KIT/LEFT	1	110212
38	7118195	CYLINDER HEAD BAFFLE KIT/RIGHT	1	110212
39	7118196	CYLINDER SHROUD KIT	1	110212
40	7118212	OIL FILL CAP	1	110212
41	7125460	AIR FILTER GASKET	1	110212
42	7119482	AIR FILTER COVER KIT	1	110212
43	7118208	SHROUD COVER KIT W/HARDWARE	1	110212
44	7118209	BLOWER HOUSING PLATE KIT W/HARDWARE	1	110212
45	7125611	CHOKE LOCK	1	110212
46	7111061	KEY SET (2), IGNITION	1	110212
47	7118216	OIL FILTER	1	110212
48	7125612	OIL HOSE	1	110212
49	7118214	FUEL FILTER	1	110212
50	7118213	SOLENOID	1	110212
51	7125613	CLIP	1	110212
52	7125614	CLIP	1	110212

REV		DESCRIPTION	ECN#	BY	CHECK	APPROVE	DATE
A		INITIAL DRAWING RELEASE					



THIRD ANGLE PROJECTION UNLESS OTHERWISE SPECIFIED: DIMENSIONS ARE IN MM TOLERANCES: X ± 2.5 .X ± 0.76 .XX ± 0.25 ANGULAR: ± 1° BEND: ± 1° ALL MACHINED SURFACES: $\sqrt{3.2}$ INTERPRET GEOMETRIC TOLERANCING PER LATEST: ASME Y14.5M DO NOT SCALE DRAWING	<b>FNA-GROUP</b> 7152 99th Street, Pleasant Prairie, WI 53158 <b>PROPRIETARY AND CONFIDENTIAL</b> THE INFORMATION CONTAINED IN THIS DRAWING IS THE SOLE PROPERTY OF FNA- GROUP. ANY REPRODUCTION IN PART OR AS A WHOLE WITHOUT THE WRITTEN PERMISSION OF FNA-GROUP IS PROHIBITED. WEIGHT: 43500g MATERIAL:	DESCRIPTION: <b>CRX750, GENERAL           PURPOSE, NO MUFFLER</b> DWG. NO. <b>2688506CUST</b>	REV: <b>A</b> 1 OF 1
	<b>BREAK ALL SHARP           EDGES AND           REMOVE BURRS</b>		1 OF 1